



PRELIMINARY

SOLID STATE DEVICES, INC

14849 Firestone Boulevard · La Mirada, CA 90638
Phone: (714) 670-SSDI (7734) · Fax: (714) 522-7424

**SDR966N&P
thru
SDR969N&P**

**60 AMP
600-900 VOLTS
80 nsec
ULTRA FAST
RECTIFIER**

Designer's Data Sheet

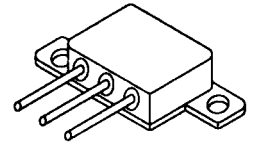
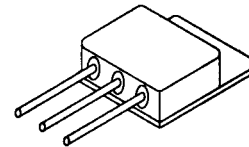
FEATURES:

- Soft Recovery Diode
- Ultrafast Recovery: 80 nsec Maximum
- High Surge Rating
- Low Reverse Leakage Current
- Low Junction Capacitance
- Hermetically Sealed Package
- Gold Eutectic Die Attach available
- Ultrasonic Aluminum Wire Bonds
- Ceramic Seals for improved hermeticity available
- Common Anode and Doubler versions available

- TX, TXV and Space Level Screening Available

TO-258

TO-259



MAXIMUM RATINGS

RATING	SYMBOL	VALUE	UNIT
Peak Repetitive Reverse and DC Blocking Voltage	VRRM	600	Volts
	VRWM	700	
	SDR966N&P SDR967N&P SDR968N&P SDR969N&P	800	
	VR	900	
Average Rectified Forward Current (Resistive Load, 60Hz, Sine Wave, TA=25°C) note 1	IO	60	Amps
Peak Surge Current (8.3 ms Pulse, Half Sine Wave, TA=25°C) note 1	IFSM	500*	Amps
Operating and storage temperature	Top & Tstg	-65 to +200	°C
Maximum Thermal Resistance Junction to Case, note 1	RθJC	0.7	°C/W

note 1: Connect Pins 2 and 3 together

*Available with higher surge ratings

NOTE: All specifications are subject to change without notification.
SCD's for these devices should be reviewed by SSDI prior to release.

DATA SHEET#: RU0079 A

MED

SDR966N&P thru SDR969N&P

PRELIMINARY



SOLID STATE DEVICES, INC

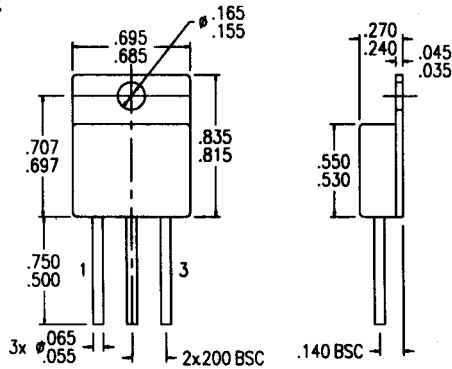
14849 Firestone Boulevard · La Mirada, CA 90638
Phone: (714) 670-SSDI (7734) · Fax: (714) 522-7424

ELECTRICAL CHARACTERISTICS

CHARACTERISTICS	SYMBOL	MAXIMUM	UNIT
Instantaneous Forward Voltage Drop (note 1) (IF = 30 Adc, TA=25°C, 300ms Pulse) (IF = 60 Adc, TA=25°C, 300ms Pulse)	VF	1.25 1.40	Vdc
Instantaneous Forward Voltage Drop (note 1) (IF = 30 Adc, TA=100°C, 300ms Pulse) (IF = 30 Adc, TA= - 55°C, 300ms Pulse)	VF	1.15 1.35	Vdc
Reverse Leakage Current (Rated VR, TA=25°C, 300ms pulse minimum)	IR	200	µA
Reverse Leakage Current (Rated VR, TA=100°C, 300ms pulse minimum)	IR	20	mA
Junction Capacitance (VR = 10 Vdc, TA=25°C, f= 1 MHz)	CJ	200	pf
Reverse Recovery Time (IF=500mA, IR=1 A, IRR=250mA, TA=25°C)	trr	80	nsec

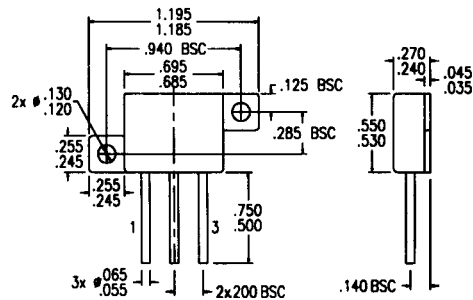
CASE OUTLINE: TO-258

PIN 1: CATHODE
PIN 2: ANODE
PIN 3: ANODE



CASE OUTLINE: TO-259

PIN 1: CATHODE
PIN 2: ANODE
PIN 3: ANODE



TYPICAL OPERATING CURVES

TA=25°C Unless otherwise specified

